

VERTICAL TERMINAL AIR CONDITIONER  
(VTAC) AND HEAT PUMP

Specifications and Accessories Catalog

Wise Decision.  
It's an Amana<sup>®</sup> brand.



Amana is a registered trademark of Maytag Corporation or its related companies and is used under license. All rights reserved.

Premium Amana<sup>®</sup>  
Brand Quality

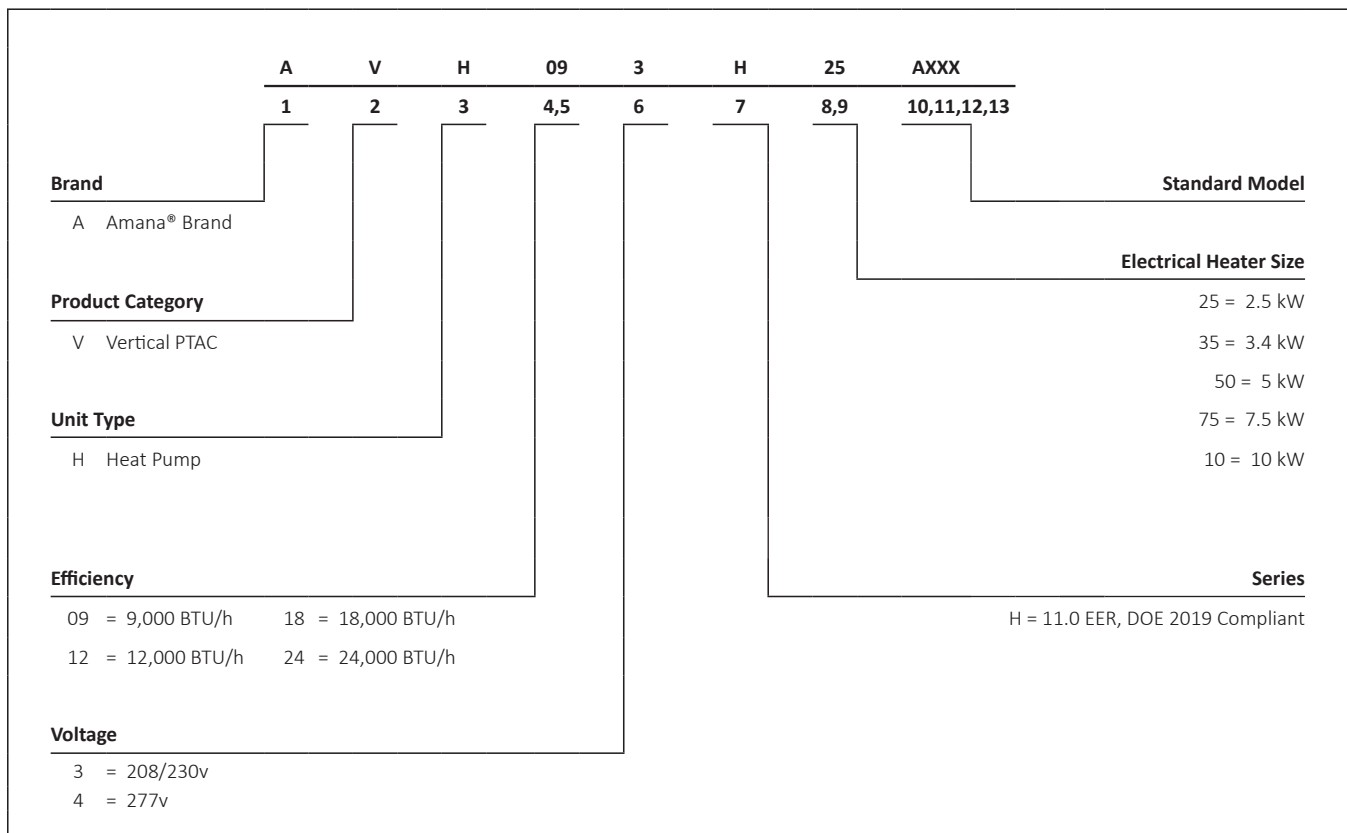
Featuring  
DigiSmart<sup>®</sup>

Web-Based  
Monitoring

## Product Features

- Chlorine-free R-410A refrigerant
- Slinger ring technology
- Compressor restart delay
- Low-ambient lock-out
- Adjustable fresh air damper
- Telescoping exterior wall adapter
- Safety power disconnect
- Wall-mount thermostat
- Electrical disconnect
- Random unit restart
- Completed insulated cabinet for quiet operation
- “Ductable” to multiple rooms
- Secondary overflow drains
- 5 year limited warranty
- Corrosion resistant blue fin condenser coils

## Nomenclature



## AVH Model Specifications—Heat Pump/Electric Heat

MODEL <sup>1, 5, 6, 7</sup>		AVH093H **AXXX	AVH094H **AXXX	AVH123H **AXXX	AVH124H **AXXX	AVH183H **AXXX	AVH184H **AXXX	AVH243H **AXXX	AVH244H **AXXX
Voltage <sup>4</sup>		230 / 208	265	230 / 208	265	230 / 208	265	230 / 208	265
Capacity (BTU/h)		9,400 / 9,000	9,400	11,400 / 11,000	11,400	18,600 / 18,000	18,600	22,500 / 22,500	22,500
Amps <sup>3</sup>		4.0 / 4.5	3.5	4.5 / 5.0	4.0	7.3 / 7.8	7.3	10.5/10.5	10.5
Watts <sup>3</sup>		864 / 818	864	1,050 / 1,000	1,050	1,691 / 1,636	1,691	2,045	2,045
EER		11.0 / 11.0	11.3	11.0 / 11.0	11.0	11.0 / 11.0	11.1	11.0 / 11.0	11.0
Heater Size Options (kW)		2.5 / 3.4 / 5.0	2.5 / 3.4 / 5.0	2.5 / 3.4 / 5.0	2.5 / 3.4 / 5.0	2.5 / 3.4 / 5.0	2.5 / 3.4 / 5.0	2.5 / 3.4 / 5.0 / 7.5 / 10.0	2.5 / 3.4 / 5.0 / 7.5 / 10.0
Indoor CFM at .10" ESP	LOW	430	430	430	430	630	630	660	660
	HIGH	490	490	490	490	675	675	700	700
Indoor CFM at .15" ESP	LOW	410	410	410	410	595	595	615	615
	HIGH	470	470	470	470	640	640	665	665
Indoor CFM at .20" ESP	LOW	360	360	360	360	550	550	575	575
	HIGH	440	440	440	440	600	600	625	625
Indoor CFM at .25" ESP	LOW	310	310	310	310	505	505	525	525
	HIGH	400	400	400	400	550	550	580	580
Indoor CFM at .30" ESP	LOW	260	260	260	260	420	455	455	485
	HIGH	350	350	350	350	500	500	540	540
Maximum ESP (Inch of Water Column)		0.3	0.3	0.3	0.3	0.3	0.3	0.3	0.3
Ventilated Air, CFM (Fan Only) <sup>2</sup>		60	60	60	60	60	60	60	60
Dimensions (W x D x H) (Inches)		23 x 23 x 32	23 x 23 x 32	23 x 23 x 32	23 x 23 x 32	23 x 23 x 47	23 x 23 x 47	23 x 23 x 52	23 x 23 x 52
Shipping Dimensions (W x D x H) (Inches)		26 x 25 x 35	26 x 25 x 35	26 x 25 x 35	26 x 25 x 35	26 x 25 x 52	26 x 25 x 52	26 x 25 x 57	26 x 25 x 57
Net Weight (lbs.)		142	144	147	149	190	192	225	227
Shipping Weight (lbs.)		164	166	169	171	216	218	251	253

### Notes:

1. Tested in accordance with AHRI Standard 390-93 at 95°F DB/75°F WB OUTDOOR, 80°F DB/67°F WB INDOOR
2. Actual vent CFM performance will vary due to application and installation conditions
3. Refer to electric heat performance data for total MCA and recommended overcurrent protection.  
Amps and Watts notation refers to compressor only.
4. Minimum voltage on 230/208-volt models is 197 volts; maximum is 253 volts. Minimum voltage on 265-volt models is 239 volts; maximum is 292 volts.
5. Specify two-digit heater kW size to complete model number.
6. R-410A refrigerant used in all systems.
7. All specifications are subject to change without notice

## AVH Model Specifications—Reverse-Cycle Heating Performance

HEATING CAPACITY <sup>6,5,3,4</sup>	AVH093H **AXXX	AVH094H **AXXX	AVH123H **AXXX	AVH124H **AXXX	AVH183H **AXXX	AVH184H **AXXX	AVH243H **AXXX	AVH244H **AXXX
Voltage <sup>2</sup>	230 / 208	265	230 / 208	265	230 / 208	265	230 / 208	265
BTU/h	8,500 / 8,200	8,500	10,800 / 10,500	10,800	17,000 / 16,500	17,000	19,500	19,500
Amps <sup>1</sup>	3.6	3.1	4.5	3.7	7.0	6.1	9.2	9.2
Watts <sup>1</sup>	730	730	940	940	1,480	1,480	1,732	1,732
COP	3.3 / 3.3	3.3	3.2 / 4.5	3.3	3.3 / 3.3	3.3	3.3 / 3.3	3.3

### Notes:

1. Refer to electric heat performance data for total MCA and recommended overcurrent protection. Amps and Watts notation refers to compressor only.
2. Minimum voltage on 230/208-volt models is 197 volts; maximum is 253 volts. Minimum voltage on 265-volt models is 239 volts; maximum is 292 volts.
3. Specify two-digit heater kW size to complete model number.
4. R-410A refrigerant used in all systems.
5. Tested in accordance with AHRI standard 390-93 at 47°F DB/43°F WB OUTDOOR, 70°F DB/60°F WB INDOOR
6. All specifications are subject to change without notice

## AVH09-AVH18 Model Specifications—Electric Heat Performance

VOLTAGE <sup>2,3</sup>	ELECTRIC HEATER SIZE (KW)	NOMINAL HEATING			TOTAL WATTS	TOTAL AMPS	MIN. CIRCUIT AMPACITY <sup>1</sup>	MOP (AMPS) <sup>1</sup>	POWER CORD
		@ 230V	@ 208V	@ 265V					
230 / 208V	2.5 / 2.1	8,500	7,000		2,500 / 2050	12.0 / 11.1	15	15	Hardwired
230 / 208V	3.4 / 2.8	11,600	9,500		3,400 / 2,780	16.0 / 14.6	19.9	20	Hardwired
230 / 208V	5.0 / 4.1	17,000	13,900		5,000 / 4090	22.9 / 20.9	28.6	30	Hardwired
265V	2.5			8,500	2,500	10.5	13.1	15	Hardwired
265V	3.4			11,600	3,400	13.9	17.4	20	Hardwired
265V	5			17,000	5,000	19.9	24.9	30	Hardwired

### Notes:

1. Minimum branch circuit ampacity ratings conform to the National Electric Code; however, local codes should apply.
2. Minimum voltage on 230/208-volt models is 197 volts; maximum is 253 volts. Minimum voltage on 265-volt models is 239 volts; maximum is 292 volts.
3. All specifications are subject to change without notice

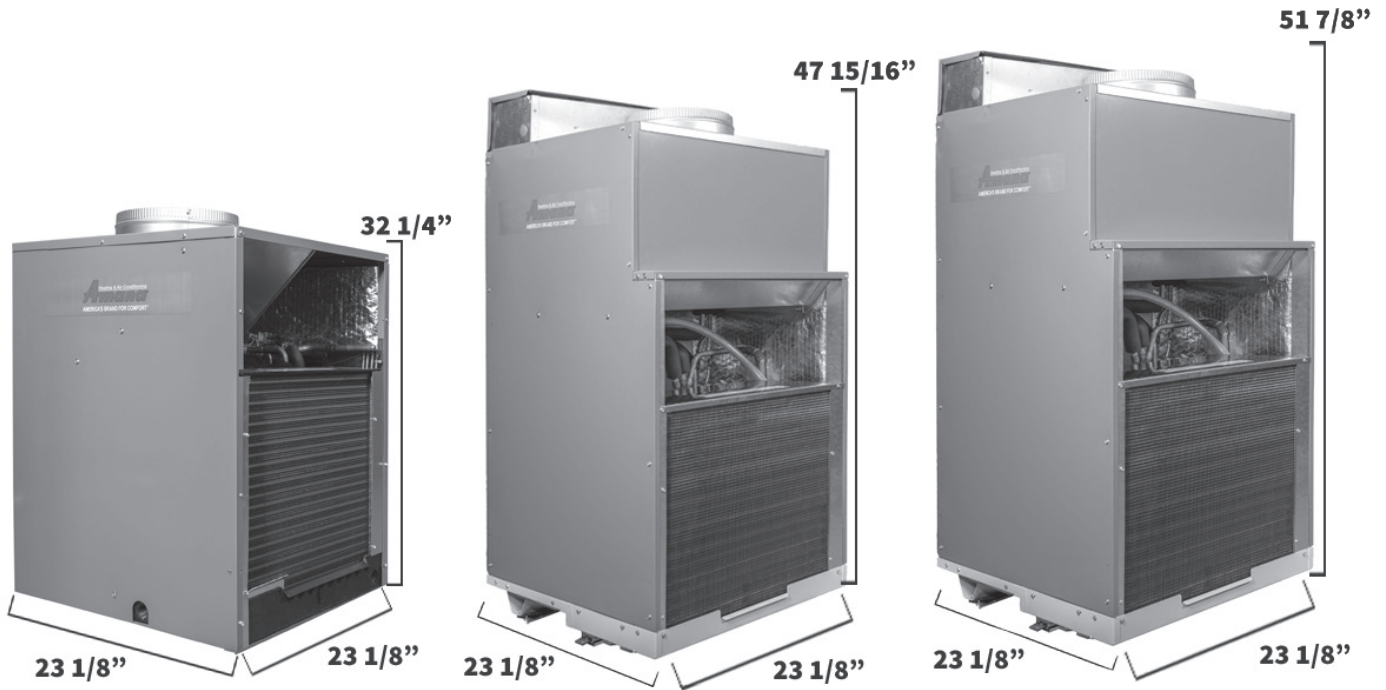
## AVH24 Model Specifications—Electric Heat Performance

VOLTAGE <sup>2,3</sup>	ELECTRIC HEATER SIZE (KW)	NOMINAL HEATING			TOTAL WATTS	TOTAL AMPS	MIN. CIRCUIT AMPACITY <sup>1</sup>	MOP (AMPS) <sup>1</sup>	POWER CORD
		@ 230V	@ 208V	@ 265V					
230 / 208V	2.5 / 2.1	8,500	7,000		2,500 / 2050	12.3 / 11.3	15.4	20	Hardwired
230 / 208V	3.4 / 2.8	11,600	9,500		3,400 / 2,780	16.2 / 14.8	20.3	25	Hardwired
230 / 208V	5.0 / 4.1	17,000	13,900		5,000 / 4090	23.1 / 21.1	29.0	30	Hardwired
230 / 208V	7.5 / 6.1	25,600	20,900		7,500 / 6,135	34.0 / 30.9	42.6	45	Hardwired
230 / 208V	10.0 / 8.2	34,100	27,900		10,000 / 8,180	44.9 / 40.7	56.1	60	Hardwired
265V	2.5			8,500	2,500	10.8	13.6	20	Hardwired
265V	3.4			11,600	3,400	14.2	17.48	20	Hardwired
265V	5			17,000	5,000	20.3	25.4	30	Hardwired
265V	7.5			25,600	7,500	29.7	37.2	40	Hardwired
265V	10			34,100	10,000	39.1	49.0	50	Hardwired

### Notes:

1. Minimum branch circuit ampacity ratings conform to the National Electric Code; however, local codes should apply.
2. Minimum voltage on 230/208-volt models is 197 volts; maximum is 253 volts. Minimum voltage on 265-volt models is 239 volts; maximum is 292 volts.
3. All specifications are subject to change without notice

## Unit Dimensions

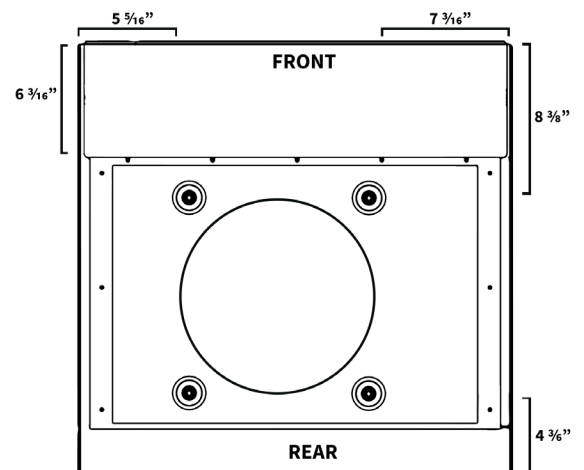
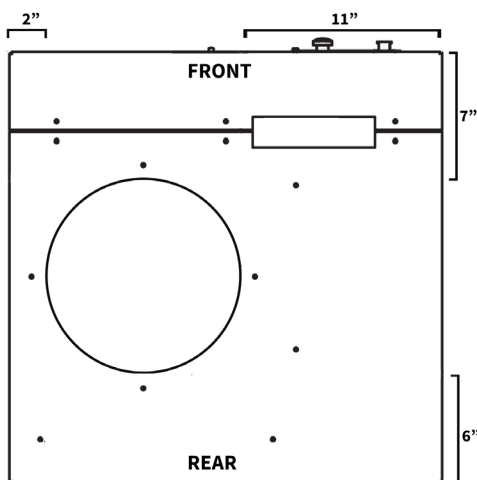


Applicable Models
AVH093
AVH094
AVH123
AVH124

Applicable Models
AVH183
AVH184




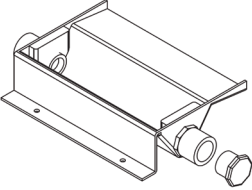
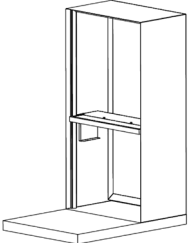


Applicable Models
AVH243
AVH244

## Unit Top View Dimensions





## Accessories

<p><b>EXTERIOR WALL ADAPTOR</b> Two-part sleeve that telescopes in and out from 5 1/2" to 8" in depth for AVEWA05-08A and 8" to 14" in depth for AVEWA08-14A. The wall adapter sits inside the exterior wall penetration.</p>	<p><b>DIMENSIONS:</b> 30 3/8" high x 24 1/8" wide <b>CUTOUT DIMENSIONS:</b> 30 7/8" high x 24 5/8" wide</p> <table border="1"> <tr> <td data-bbox="677 303 836 383">AVEWA05-08A</td> <td data-bbox="836 303 1122 383">Exterior wall adapter that telescopes from 5 1/2" to 8" as required.</td> </tr> <tr> <td data-bbox="677 383 836 463">AVEWA08-14A</td> <td data-bbox="836 383 1122 463">Exterior wall adapter that telescopes from 8" to 14" as required.</td> </tr> </table>	AVEWA05-08A	Exterior wall adapter that telescopes from 5 1/2" to 8" as required.	AVEWA08-14A	Exterior wall adapter that telescopes from 8" to 14" as required.							
AVEWA05-08A	Exterior wall adapter that telescopes from 5 1/2" to 8" as required.											
AVEWA08-14A	Exterior wall adapter that telescopes from 8" to 14" as required.											
<p><b>ARCHITECTURAL LOUVER</b> Extruded aluminum louver that attaches to the outdoor section of the wall adapter.</p>	<p><b>DIMENSIONS:</b> 31 1/16" high x 25 9/16" wide</p> <table border="1"> <tr> <td data-bbox="677 534 836 567">AVAGK01CB</td> <td data-bbox="836 534 1122 567">Anodized Aluminum</td> </tr> <tr> <td data-bbox="677 567 836 599">AVAGK01TB</td> <td data-bbox="836 567 1122 599">Stonewood Beige</td> </tr> <tr> <td data-bbox="677 599 836 631">AVAGK01DB</td> <td data-bbox="836 599 1122 631">Dark Bronze</td> </tr> <tr> <td data-bbox="677 631 836 664">AVAGK01WB</td> <td data-bbox="836 631 1122 664">Amana White</td> </tr> <tr> <td data-bbox="677 664 836 696">AVAGK01SB</td> <td data-bbox="836 664 1122 696">Custom Color</td> </tr> </table>	AVAGK01CB	Anodized Aluminum	AVAGK01TB	Stonewood Beige	AVAGK01DB	Dark Bronze	AVAGK01WB	Amana White	AVAGK01SB	Custom Color	
AVAGK01CB	Anodized Aluminum											
AVAGK01TB	Stonewood Beige											
AVAGK01DB	Dark Bronze											
AVAGK01WB	Amana White											
AVAGK01SB	Custom Color											
<p><b>ACCESS PANEL/RETURN AIR GRILLE</b> Serves as an access panel to chassis and interior return air grille. A field-supplied (25" x 20") filter can be mounted inside the hinged access door. Kit contains hinge bracket for mounting the door with the return air openings high or low on the door for optimal sound attenuation. For 9,000/12,000/18,000 BTU models, it is recommended to install the door with the hinge on the right side and the return air openings high on the door.</p>	<p><b>DIMENSIONS:</b> 58" high x 29" wide <b>CUTOUT DIMENSIONS:</b> 55 3/4" high x 27" wide</p> <table border="1"> <tr> <td data-bbox="677 836 836 890">AVLWP01A-L</td> <td data-bbox="836 836 1122 890">Access Panel/Return Air Grille Hinge pre-installed on left side.</td> </tr> <tr> <td data-bbox="677 890 836 944">AVLWP01A-R</td> <td data-bbox="836 890 1122 944">Access Panel/Return Grille. Hinge pre-installed on right side.</td> </tr> </table>	AVLWP01A-L	Access Panel/Return Air Grille Hinge pre-installed on left side.	AVLWP01A-R	Access Panel/Return Grille. Hinge pre-installed on right side.							
AVLWP01A-L	Access Panel/Return Air Grille Hinge pre-installed on left side.											
AVLWP01A-R	Access Panel/Return Grille. Hinge pre-installed on right side.											
<p><b>ACCESSORY DRAIN PAN/KIT</b> Both left and right-hand connections available. REQUIRED FOR LARGE FRAME VTAC INSTALLATIONS. AVH18 &amp; AVH24</p>	<table border="1"> <tr> <td data-bbox="677 1052 836 1106">AVDK18-2401B</td> <td data-bbox="836 1052 1122 1106">For "H" Series Units Accessory Drain Pan/Kit</td> </tr> </table>	AVDK18-2401B	For "H" Series Units Accessory Drain Pan/Kit									
AVDK18-2401B	For "H" Series Units Accessory Drain Pan/Kit											
<p><b>FIRST COMPANY SLEEVE ADAPTER</b> Designed as a welded adapter allows retrofit of AVH09 and AVH12 units into existing First Company SPXR series SPVU wall sleeve and louver. Not available for AVH18 &amp; AVH24 models.</p>	<table border="1"> <tr> <td data-bbox="677 1289 836 1343">AVAKFC01A</td> <td data-bbox="836 1289 1122 1343">First Company Sleeve Adapter for AVH09 &amp; AVH12 units</td> </tr> </table>	AVAKFC01A	First Company Sleeve Adapter for AVH09 & AVH12 units									
AVAKFC01A	First Company Sleeve Adapter for AVH09 & AVH12 units											
<p><b>DIGITAL WALL THERMOSTAT</b> 3" backlit display with 2 speed fan operation, temperature limiting, and adjustable field calibration</p>	<table border="1"> <tr> <td data-bbox="677 1569 836 1601">PHWT-A150H</td> <td data-bbox="836 1569 1122 1601">Digital Wall Thermostat</td> </tr> </table>	PHWT-A150H	Digital Wall Thermostat									
PHWT-A150H	Digital Wall Thermostat											
<p><b>DIGITAL WALL THERMOSTAT</b> Auto-Changeover and/or Programmable Digital Wall Thermostat - 4 1/4" backlit display with 2 speed fan operation, temperature limiting, and adjustable field calibration</p>	<table border="1"> <tr> <td data-bbox="677 1813 836 1845">PHWT-A200</td> <td data-bbox="836 1813 1122 1845">Digital Wall Thermostat</td> </tr> </table>	PHWT-A200	Digital Wall Thermostat									
PHWT-A200	Digital Wall Thermostat											

## Accessories Contd.

**Wireless RF Energy Management Controls**  
 Eden Energy Managements Controls operating on 2.4 Ghz 802 15.4 Radio Frequency allows units to be configured for energy management. You can also control and monitor your entire property with the optional DL01G Web enabled platform.

<b>DS01G</b>	Thermostat: 2-way <sup>2</sup> Communications
<b>DD01E</b>	Occupancy Sensor: EMS Activation <sup>2</sup>
<b>GT01H</b>	Generic Radio Antena/ Router <sup>3</sup>
<b>DD01F</b>	Door Switch: EMS Activation <sup>2</sup>
<b>DP01G</b>	Web-enabled Platform Server
<b>DL01G</b>	Web-enabled Platform Server Link BAC-NET capable
<b>DR01G</b>	Mesh Repeater <sup>1</sup>
<b>DL01G-SERIEAL</b>	Serial Repeater <sup>1</sup>





## A legacy of comfort The impeccable reputation of an American original

Amana heating and cooling systems are a part of the enduring legacy of one of America's most recognized and respected brands. Originating eight decades ago in Amana, Iowa, the brand is synonymous with long-lasting, premium-quality products — from home appliances to heating and air conditioning equipment. Chances are, you and generations before you have enjoyed the dependable performance and longevity the Amana brand continues to deliver.



Call your Amana brand PTAC sales representative at **800-647-2982** for complete details.

Before purchasing this appliance, read important information about its estimated annual energy consumption, yearly operating cost, or energy efficiency rating that is available from your retailer.

**[www.amana-ptac.com](http://www.amana-ptac.com)**

Our continuing commitment to quality products may mean a change in specifications without notice. ©2020 Goodman Manufacturing Company, L.P. Amana is a registered trademark of Maytag Corporation or its related companies and is used under license. All rights reserved.